

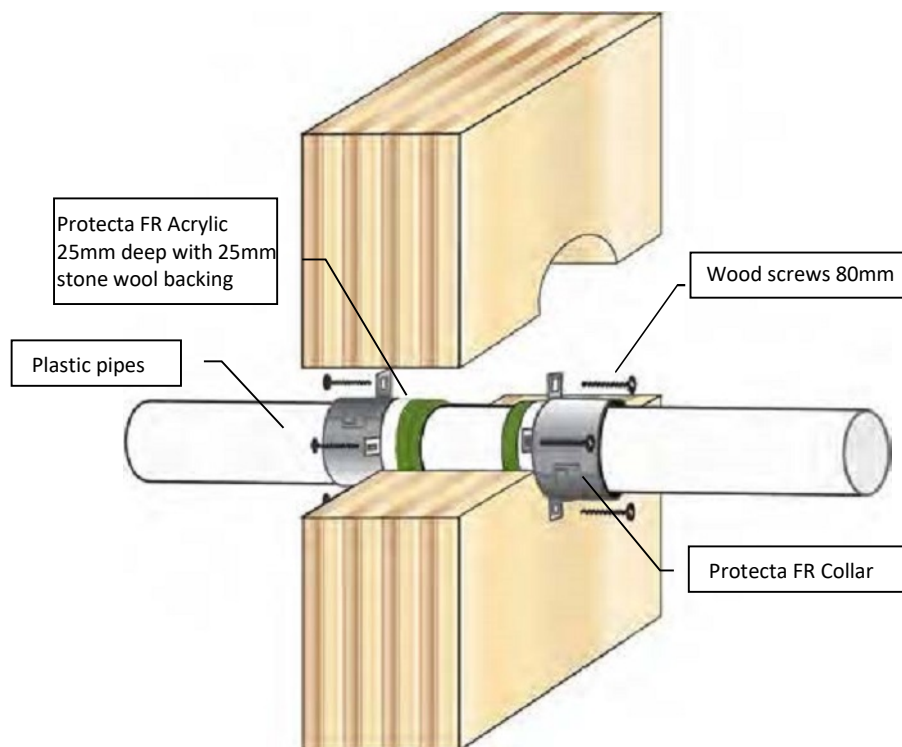
Installation Instructions

1. For sealing plastic pipes, a pipe collar is installed on both sides of the wall.
2. Before fitting the pipe collar ensure that any gaps between the pipe and the separating element are sealed. Gaps between the pipe and the construction must be plugged with 25mm deep Protecta FR Acrylic on 25mm deep backing of stone-wool (or 50mm FR Acrylic).
3. Place a pipe collar around the service penetration (pipe) and ensure that the fixing lugs are positioned tightly to the surface of the wall so that the 80mm wood screw fixings can be inserted fully.
4. Where the surface is uneven, apply a sealing bead of Protecta® FR Acrylic between the wall and the pipe collar.
5. Annular gap must be minimum 10mm for pipe sizes up to 160mm. Annular gap for larger pipe sizes must be 8-12mm.
6. On sites where the penetration size is greater than the pipe diameter and/or the pipe is on an angle an oversized collar can be used. Protecta® FR Collars are tested 'oversize', i.e. the internal diameter of the collar can be larger than the pipe.

Protecta FR Collar

Plastic Pipe in 100mm Solid Timber or CLT Wall

See pg 2 for PVC, PE, HDPE, PEX, PP, PP-R, etc



Over-sized collars of any dimension approved, subject to:
 Max angle 45°
 Max FRR -/120/120
 Max collar size 160mm

System/FPA Register ID# FC602

Products	Protecta FR Collar Protecta FR Acrylic
Application	Fire stopping of plastic pipes in timber walls.
Construction	Minimum wall thickness of 100mm and comprise solid wood or cross-laminated timber with min density 510kg/m ³

Fire & Sound classification

Fire classifications in table on page 2.

ZERO smoke leakage up to 200Pa

Sound reduction (seal only) STC 58



Protecta®

Polyseam Ltd, 15 St Andrews Road,
 Huddersfield, West Yorkshire, HD1 6SB

Tel: +44 (0) 148 4421036

Email: post.uk@polyseam.com

Sheet size:	Drawn date & no:
A4	28/7/20

Scale:	Drawn by:
NTS	K.B

Services	Wall thickness	Collar Height	Classification	Closed Systems Only			
				Collar Height	Classification	Collar Height	Classification
PVC-U, PVC-C and similar				120mm walls only			
Up to 50mm diam	Up to 4.6mm	30mm	FRR -/90/60			50mm	FRR -/120/120
Up to 110mm diam	Up to 6.6mm	50mm	FRR -/90/60	30mm	FRR -/60/60	50mm	FRR -/120/120
Up to 140mm diam	Up to 8.3mm	50mm	FRR -/90/60			60mm	FRR -/120/120
Up to 160mm diam	Up to 9.5mm	60mm	FRR -/60/60	50mm	FRR -/90/90	60mm	FRR -/120/120
Up to 200mm diam	Up to 11.9mm			60mm	FRR -/120/120		
Up to 315mm diam	Up to 12.1mm			75mm	FRR -/90/90		
Up to 400mm diam	Up to 11.9mm			100mm	FRR -/120/90		
PE, PE-LD, PE-MD, PE-HD, PE-X, ABS, SAN+PVC and similar							
Up to 50mm diam	Up to 4.6mm	30mm	FRR -/90/45	30mm	FRR -/90/60		
Up to 50mm diam	Up to 4.6mm	50mm	FRR -/120/90			50mm	FRR -/120/120
Up to 110mm diam	Up to 10.0mm	50mm	FRR -/90/60	30mm	FRR -/60/60	50mm	FRR -/120/90
Up to 160mm diam	Up to 14.6mm	60mm	FRR -/90/90	50mm	FRR -/60/60	60mm	FRR -/90/90
Up to 200mm diam	Up to 18.2mm			60mm	FRR -/120/90		
Up to 400mm diam	Up to 36.3mm			100mm	FRR -/90/90		
PP, PP-MV, PP-H, PP-R and similar							
Up to 50mm diam	Up to 4.6mm	30mm	FRR -/90/60			50mm	FRR -/120/90
Up to 110mm diam	Up to 6.6mm	50mm	FRR -/90/60	30mm	FRR -/90/60	50mm	FRR -/120/90
Up to 160mm diam	Up to 14.6mm	60mm	FRR -/60/60	50mm	FRR -/60/60	60mm	FRR -/120/90
Up to 200mm diam	Up to 18.2mm			60mm	FRR -/120/90		
Up to 400mm diam	Up to 22.7mm			100mm	FRR -/60/60		

System/FPA Register ID# FC602

Products	Protecta FR Collar Protecta FR Acrylic
Application	Fire stopping of plastic pipes in timber walls.
Construction	Minimum wall thickness of 100mm and comprise solid wood or cross-laminated timber with min density 510kg/m ³

Fire & Sound classification

Fire classifications in table on left

ZERO smoke leakage up to 200Pa

 Sound reduction (seal only) STC 58


Protecta®

 Polyseam Ltd, 15 St Andrews Road,
 Huddersfield, West Yorkshire, HD1 6SB

Tel: +44 (0) 148 4421036

Email: post.uk@polyseam.com

Sheet size:	Drawn date & no:
A4	28/7/20

Scale:	Drawn by:
NTS	K.B